

IS443 / IS444 / IS445

Photoelectric infrared beams

with quad beams for outdoor applications

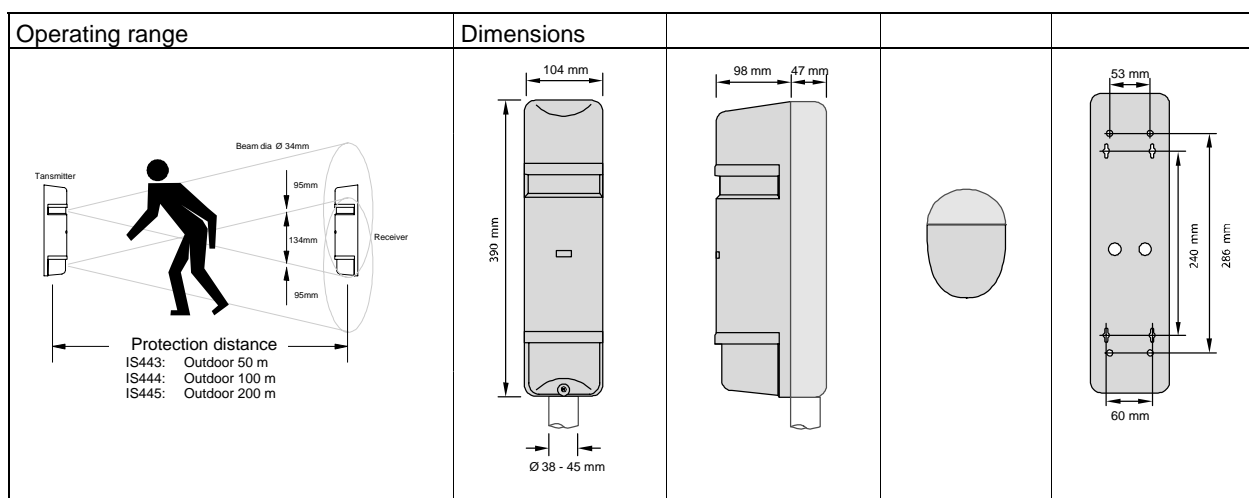
- **Perimeter protection from 50 m to 200 m**
- **Synchronised and sophisticated quad beams serve to reinforce the range and stability in harsh environments and severe weather conditions**
- **Automatic gain control**
- **4 separate choices of frequencies**

Approved detection performance. The 4 infrared beams work in an AND-function, which guarantees immunity from falling leaves and small animals. Strong active infrared transmission with a ten times greater infrared power than for the specified maximum distance. Special housing design ensure reliable operation when there is frost or dew.

Automatic gain control. The sensitivity is automatically increased in severe weather conditions to contend with fog, heavy rain, frost or snow.

Highest false alarm immunity. Special light compensation circuit for excellent immunity against sun, car, fluorescent or mercury lights.

Operating range and dimensions



Technical data

Type	IS443	IS444	IS445
Detection system	Simultaneous breaking of 4 beams		
Infrared beam	Double modulation pulsed beam by LED		
Protection distance	Outdoor < 50 m	Outdoor < 100 m	Outdoor < 200 m
Response time	50 ms ... 700 ms variable (Standard: 50 ms)		
Power supply	12 VDC ... 30 VDC (non-polarity)		
Current consumption	95 mA	105 mA	120 mA
Alarm output			
– Relay (change over contact)	30 VDC/DC 1 A		
– Alarm hold time	approx. 1.5 s		
Environmental output			
– Relay contact	NO/NC switchover, 30 VDC/DC 1 A		
Tamper output			
– Cover contact (opens on tamper)	30 VDC/DC 0.1 A		
Functions	Modulated beam frequency selection, tone indicator, environmental module, alarm memory indication, programmed AGC, auto-gain lock function, monitor jack		
Beam adjustment	Horizontal: ± 90° C, Vertical ± 10° C		
Environmental conditions	- 35° C ... + 66° C		
Mounting position	Outdoor		
Housing protection (EN 60529, EN 50102)	IP43		

Ordering data

Typ	Art.-Nr.	Bezeichnung	Gewicht
IS443	529992	Photoelectric beam sensor (50 m)	2.500 kg
IS444	529989	Photoelectric beam sensor (100 m)	2.500 kg
IS445	529950	Photoelectric beam sensor (200 m)	2.500 kg
BP-200F	538624	Pole cover (2 pcs./set)	
HTF-24	538611	Heater (2 pcs./set) 24 VDC; 860 mA	

Siemens Switzerland Ltd.
 International Headquarters
 Fire Safety & Security Products
 Gubelstrasse 22
 CH – 6301 Zug
 Tel. +41 41 724 24 24
 Fax +41 41 724 35 22
 www.sbt.siemens.com

© 2005 Copyright by
 Building Technologies Group
 Data and design subject to change without notice. Supply subject to availability.