



GM710

Seismic detector

Seismic detector with standard functionality for the use in safes, night deposits, ticket- and vending machines.

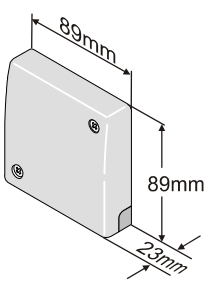
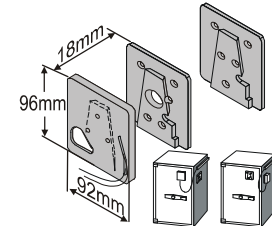
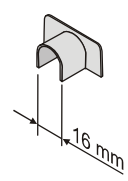
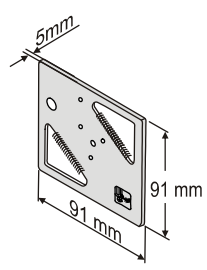
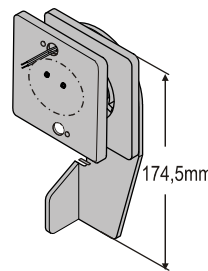
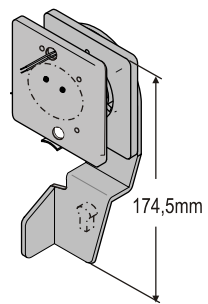
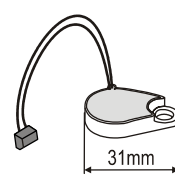
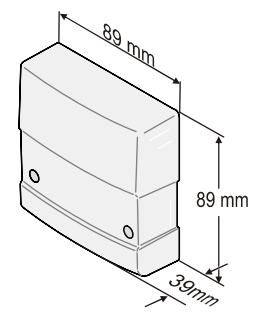
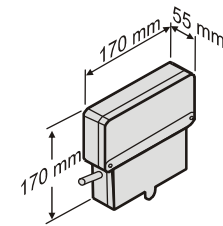
- **Around-the-clock monitoring of safes, night deposits, ticket- and vending machines etc.**
- **2 m operating radius on steel → 13 m² coverage area.**
- **High performance 'SENSTEC™' bimorph sensor and micro-controller-based signal evaluation with highest sensitivity even to oxygen lance attacks.**
- **Highest immunity to false alarms with flexible settings, digital filters and sophisticated algorithms.**
- **Easy adjustable sensitivity according to specific applications (4 fixed DIP switches, not programmable).**
- **Easy, fast and flexible installation (2 screws and test point).**
- **Smallest, slimmest and most modern design on the market.**
- **Lowest power consumption.**

Effective. Reliable recognition of attacks is ensured with explosives or attempted entry using modern tools, such as diamond-tipped drills, mechanical and hydraulic pressure tools, flame cutters, thermal-lancers or water jet on safes, night deposits, ticket- and vending machines.

Highly professional. The patented SENSTEC® sensor and digital signal processing evaluates a selected narrow frequency band to ensure reliable detection. This comprehensive protection is immune to environmental influences including air and structure borne noise from external disturbance sources.

Versatile in application. The low-profile design makes it easy to install. Predefined settings allow to be quickly set for all common applications.

Accessories and dimensions

GM710	GMAS6	GMXC2	GMXP0	
				
GMXP3	GMXP3Z	GMXS1	GMXS5	GMXWG0H
				

Ordering data

Type	Art. No.	Designation	Weight
GM710	S54534-F106-A100	Seismic Detector	220 g
GMAS6	BPZ:4886060001	Fixing device	400 g
GMXC2	BPZ:5021840001	Pipe connection sleeve 16 mm	10 g
GMXP0	BPZ:2772730001	Mounting plate	270 g
GMXP3	BPZ:3470190001	Swivel plate	630 g
GMXP3Z	BPZ:5712410001	Z-shaped swivel plate	670 g
GMXS1	BPZ:4202370001	Test transmitter	20 g
GMXS5	BPZ:5627000001	Remote test transmitter	320 g
GMXWG0H	BPZ:3720260001	Watertight housing	1010 g

Technical data

Detection characteristics	
- Operating radius/Coverage area on concrete and steel	
- For all types of tools (including thermic tools)	2 m / 13 m ²
Power supply (nom. 12 Vdc)	Vcc = 8 to 16 Vdc
- Voltage monitoring	Alarm if voltage low
Power consumption (8 to 16 Vdc)	I _{typ.} = 2,5 to 3,5 mA
- Quiescent / Alarm	I _{max.} = 5 mA
Alarm output	
- Relay (opens on alarm)	30 Vdc / 100 mA / R _i < 45 Ω
- Alarm hold time	ca. 2,5 s
Sabotage surveillance, Tamper	
- Cover & surface contact	Opens on sabotage
- Contact load	30 Vdc / 100 mA
Test point output	analogue integration signal
Function test	
- For test	Low ≤ 1,5 VDC / High ≥ 3,5 VDC
- Test duration until alarm with GMXS1	≤ 3 s
- Test duration until alarm with GMXS5	≤ 90 s
Adjustments	
- Dip switch settings	4 fixed DIP settings
Environmental conditions	
- Operating temperature	- 40 ... + 70°C
- Storage temperature	- 40 ... + 70°C
- Air humidity (EN 60721)	< 95% rh, non-condensing
- Housing protection (EN 60529, EN 50102)	IP43
- Electromagnetic compatibility (EMC)	EN 50130-4 CFR 47, FCC Part 15:2008, (Class A Digital Device)
Approvals	UL, CCC