

Cerberus™ PRO/ Sinteso™

## Alarm indicators

FDAI91, FDAI92, FDAI93



### Alarm indicators for optical repeat signals for automatic fire detectors

- Alarm indicators FDAI91 / FDAI92
  - Modern, flat design
  - Screwless connection terminals
- Alarm indicator FDAI93
  - Simple plug-in assembly with expanding-spring fastening

## Properties

### Features

- Enable the rapid identification of alarm-transmitting detectors which are not immediately visible or are difficult to access
- Contain a light element with one or two LEDs

### Eco-friendly

- Environmentally friendly processing
- Reusable materials
- Electronic parts and synthetic materials can be easily separated

## Use

### Alarm indicators FDAI91, FDAI92

- Alarm indicator is mounted on a door frame or wall.

### Alarm indicator FDAI93

- Alarm indicator is mounted in a door frame, switchboard, false ceiling or special housing.

## Accessories for FDAI92

### Additional frame AI330



- For surface-mounted cable entry or duct entries
- To increase the loop space
- As an adapter for sockets of different origins

## Accessories for FDAI93

### Indicator housing DJZ1193



- For mounting in wet rooms
- Includes a hole for installing alarm indicator FDAI93

### Housing DCA1191



- For mounting in wet rooms
- Installation of a maximum of four alarm indicators FDAI93
- Holes with a diameter of 22.5 mm must be drilled by the customer so the alarm indicators can be mounted

## Functions

LEDs light up as soon as the relevant fire detector triggers an alarm.

## Type Overview

Type	Designation	Order number	Weight [kg]
FDAI91	Alarm indicator, door frame	S54370-F9-A1	0.020
FDAI92	Alarm indicator, wall version	S54370-F3-A1	0.050

### Accessories

AI330	Adapter frame for FDAI92	BPZ:3169430001	0.018
-------	--------------------------	----------------	-------

Type	Designation	Order number	Weight [kg]
FDAI93	Alarm indicator incl. insulating cap, built-in version	S54370-F5-A1	0.010

### Accessories

DCA1191	Housing with cover	BPZ:4588560001	0.284
DJZ1193	Indicator housing incl. seal	BPZ:5302950001	0.115
–	Washer	BPZ:2473130001	0.001
–	Insulating cap	BPZ:3048160001	0.005

## Product documentation

Document ID	Title
008164	Equipment overview Sinteso™ Detector system FD20
008331	List of compatibility (for 'Sinteso™' product line)
A6V10229261	List of compatibility (for 'Cerberus™ PRO' product line)
A6V10257736	Installation Alarm indicators, adapter frame, surface-mounted housing, indicator housing incl. washer FDAI91, FDAI92, FDAI93, AI330, DCA1191, DJZ1193

Related documents such as the environmental declarations, CE declarations, etc., can be downloaded from the following Internet address:

<https://siemens.com/bt/download>

## Mounting

### Mounting of FDAI91, FDAI92

Mount the alarm indicator with two screws.

- FDAI91: directly on the door frame
- FDAI92: on the wall

### Mounting of FDAI93

- Installation in door frames, switchboards, false ceilings
  - Hole with a diameter of 22.5 mm must be drilled by the customer
  - For safety reasons, the socket must be provided with an insulating cap
- Installation in a housing for mounting in wet rooms
  - Hole with a diameter of 22.5 mm must be drilled by the customer for housing DCA1191
  - For safety reasons, the socket must be provided with an insulating cap

## Disposal



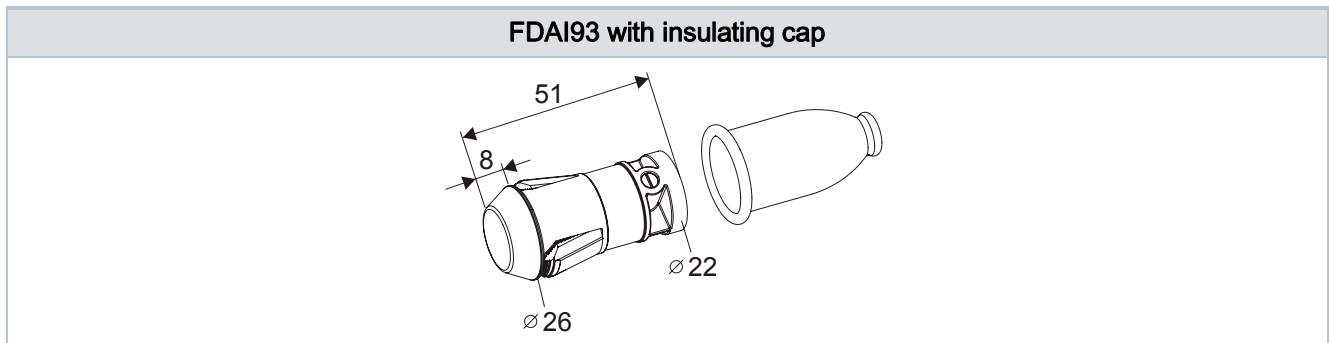
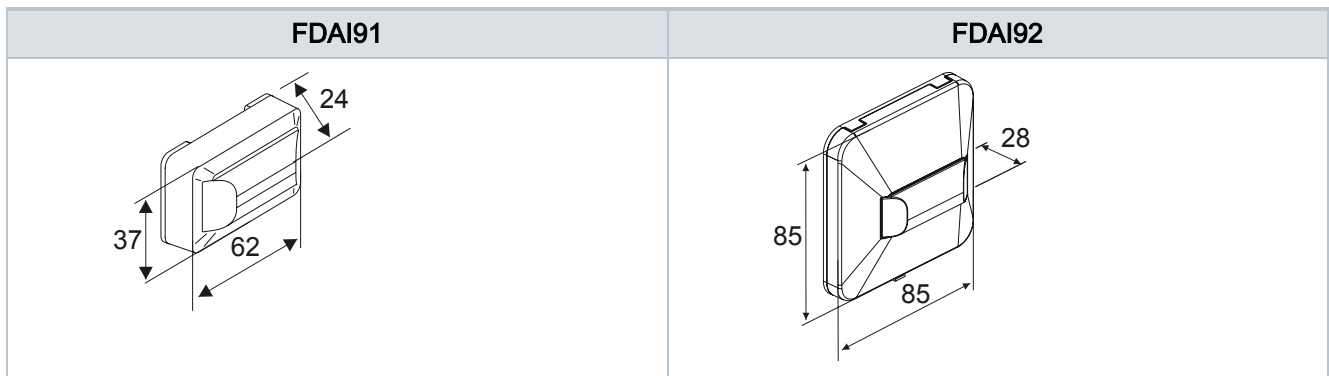
The device is considered an electronic device for disposal in accordance with the European Guidelines and may not be disposed of as domestic garbage.

- Dispose of the device through channels provided for this purpose.
- Comply with all local and currently applicable laws and regulations.

## Technical data

	FDAI91 / FDAI92	FDAI93
Operating voltage	DC 5...8 V	DC 6...8 V
Operating current (quiescent)	Max. 35 mA	Max. 35 mA
Connection terminals	Max. 1.5 mm <sup>2</sup>	Max. 1.5 mm <sup>2</sup>
Operating temperature	-25...+80 °C	-25...+80 °C
Storage temperature	-25...+80 °C	-25...+80 °C
Air humidity	≤95 % rel.	≤95 % rel.
Color	~RAL 9010, pure white	Transparent
• Housing DCA1191	–	~RAL 9010, pure white
• Housing DJZ1193	–	~RAL 9010, pure white
Protection category (EN 60529)	IP40	–
• Housing DCA1191	–	IP56
• Housing DJZ1193	–	IP65
Approvals		
• DNV GL (marine)	MEDB00003UU	–
System compatibility	FD20, FD720	

## Dimensional drawings



09 <b>CE</b>	<b>FDAI91</b>	Siemens Schweiz AG; Theilerstrasse 1a CH-6300 Zug Technical data: see doc. <b>A6V10257736</b>
FDAI91 - Alarm indicator for use in fire detection and fire alarm systems installed in buildings.		
2014/30/EU (EMC): EN 50130-4 / EN 61000-6-3 ; 2011/65/EU (RoHS): EN50581		
The declared conformity can be seen in the EU Declaration of Conformity (DoC), which is obtainable via the Customer Support Center: Tel. +49 89 9221-8000 or <a href="https://siemens.com/bt/download">https://siemens.com/bt/download</a>		
DoC No.: CED-FDAI91		
09 <b>CE</b>	<b>FDAI92</b>	Siemens Schweiz AG; Theilerstrasse 1a CH-6300 Zug Technical data: see doc. <b>A6V10257736</b>
FDAI92 - Alarm indicator for use in fire detection and fire alarm systems installed in buildings.		
2014/30/EU (EMC): EN 50130-4 / EN 61000-6-3 ; 2011/65/EU (RoHS): EN50581		
The declared conformity can be seen in the EU Declaration of Conformity (DoC), which is obtainable via the Customer Support Center: Tel. +49 89 9221-8000 or <a href="https://siemens.com/bt/download">https://siemens.com/bt/download</a>		
DoC No.: CED-FDAI92		
09 <b>CE</b>	<b>FDAI93</b>	Siemens Schweiz AG; Theilerstrasse 1a CH-6300 Zug Technical data: see doc. <b>A6V10257736</b>
FDAI93 - Alarm indicator for use in fire detection and fire alarm systems installed in buildings.		
2014/30/EU (EMC): EN 50130-4 / EN 61000-6-3 ; 2011/65/EU (RoHS): EN 50581		
The declared conformity can be seen in the EU Declaration of Conformity (DoC), which is obtainable via the Customer Support Center: Tel. +49 89 9221-8000 or <a href="https://siemens.com/bt/download">https://siemens.com/bt/download</a>		
DoC No.: CED-FDAI93		

Issued by  
Siemens Switzerland Ltd  
Building Technologies Division  
International Headquarters  
Theilerstrasse 1a  
CH-6300 Zug  
Tel. +41 58 724 2424  
[www.siemens.com/buildingtechnologies](http://www.siemens.com/buildingtechnologies)

© Siemens Switzerland Ltd, 2015  
Technical specifications and availability subject to change without notice.